

CLEVELAND

CNC BED MILL MODEL: BM600T

Specification

Table Guard is optional



**Proven High Quality
Machines and Promoting
Centroid Control since 1989**



Ball-Bar Testing on every machine

TABLE	70.8" x 17.7" (450mm x 1800mm)
X TRAVEL	59" (1500mm)
Y TRAVEL	24.8" (630mm)
Z TRAVEL	24" (610mm)
QUILL TRAVEL	5.9" (150mm)
QUILL DIAMETER	4.1" (105mm)
SPINDLE NOSE TO TABLETOP	5" to 28.74" (120- 730mm)
SPINDLE CENTER TO COLUMN	23" (660mm)
TABLE LOAD CAPACITY	2200LBS (1000KGS)
T-SLOT (5)	0.63" x2.56"
SPINDLE TAPER	NT40
PROGRAMABLE SPINDLE SPEED	60-4200rpm
TRANSMISSION SPINDLE-MOTOR	Belt
HEAD SWIVEL(RIGHT/LEFT)	90/90 degrees
RAPID FEED RATE	250/250/250 ipm
CUTTING FEED RATE	1 to 120 IPM
SPINDLE MOTOR/MAX POWER	10HP
SERVO MOTORS ON XYZ	2KW
COOLANT PUMP	1/8HP
LUBRICATION PUMP	150W
NET WEIGHT	9,240 LBS. (4200KGS)
POWER REQUIREMENT	20KVA 3 Phase 208V to 230V
AIR REQUIREMENT	70-100 psi (5~8 kg/cm ²)
OIL WAY RECOMMENDED	Mobil Vectra #2
COOLANT CAPACITY	9 Gallons

Featuring:

Centroid's M400 Easy Conversational Programing OAK PRO License

Huge 15" Color Touch Screen

10HP Spindle Motor

4200 rpm Spindle Speed

60GB Reliable SSD, RS232 and 2USB ports for easy data X-fer.

Double Nut Precision Ball Screw hardened & ground for high Accuracy.

Box Way design on the Y and Z axes to provide maximum Rigidity & Stability.

100% Laser tested and calibrated positioning accuracy and repeatability.

High speed Delta AC motors and Drivers and Spindle inverter.

Machine Standard

Auto lube system	Coolant system	Shop floor programming/Conversational
15" color LCD	60 GB solid state hard drive	Splash guard
USB 2.0 port	RS-232 interface	Leveling bolts & plate
Tools & box	Halogen work light	Electronic Operation Manual Centroid
100 Step MPG	Parts manual machine	

Machine Options

*Are Recommended items

*TG-CNC	Table Guard with 2 Lexan doors
*PDB-MAX	Power Draw Bar-Maxi-Torque Installed
8928	Upgrade to Wireless MPG
CP-MIST	Mist Coolant System
TRAN-17	Transformer: 17 KVA (440~480 V)
TRAN-28	Transformer: 28 KVA (440~480 V)
CK-101	52pcs Clamping Kit



Power Draw Bar



100 Step MPG



Table Guard with 2 Lexan doors

Tools Options

CAT40 KIT RECOMMEND

CK-101	52pcs Clamping Kit
HAV-6	6" Angle Vise W/ Swivel Base (Made in Taiwan)
NT40-TOOL6	NT40 Tool Holder set (6pcs.) 3/8, 1/2, 5/8, 3/4, 1" and keyless drill chuck
NT40-ER40-10	NT40 ER40 Collect (10pcs.) 1/8, 1/4, 3/8, 1/2, 5/8, 3/4, 7/8, 1" + NT40 ER40 chuck*1 +Wrench
NT40-ER40-17	NT40 ER40 Collect (17pcs.) 1/8, 3/16, 1/4, 5/16, 3/8, 1/2, 9/16, 5/8, 11/16, 3/4, 13/16, 7/8, 15/16, 1"+ NT40 ER40 chuck*1+Wrench

Optional Rotary Table



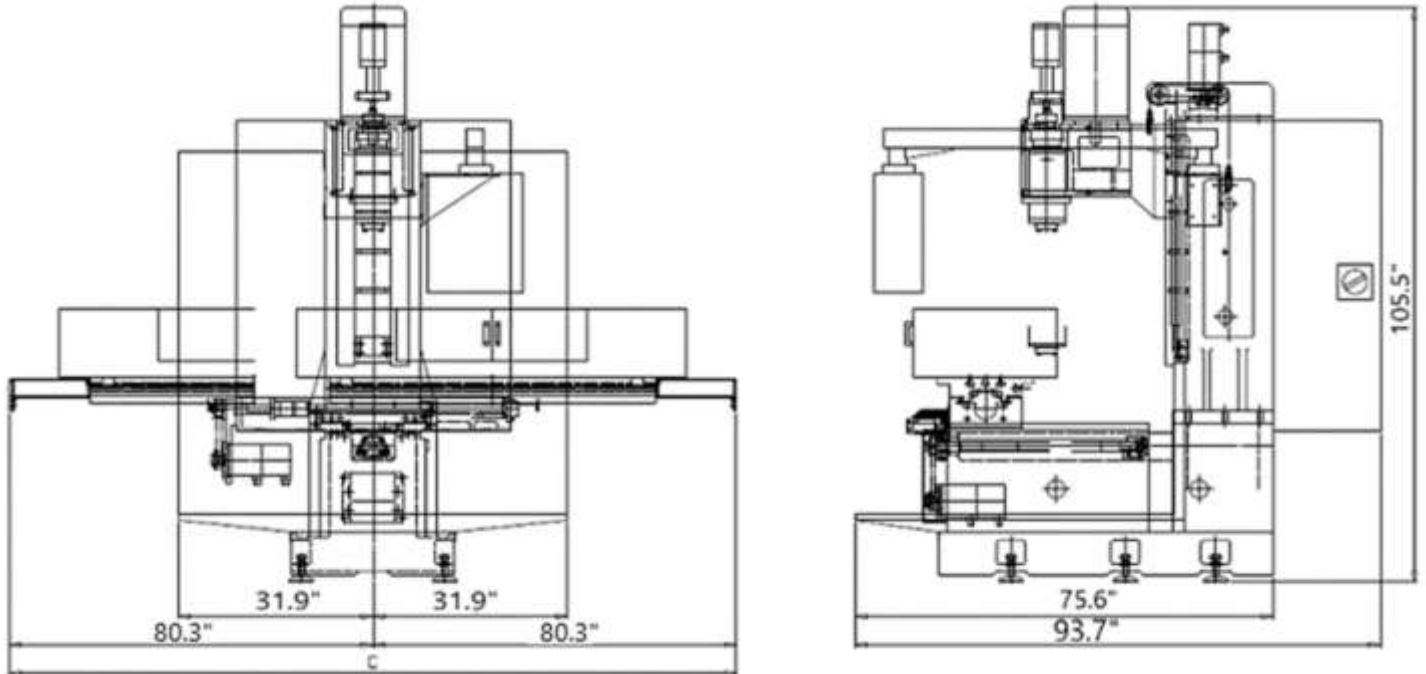
MNC-130R	CNC rotary table w/-Delta motor and driver 1KW. (Table size: 5.1")
DTS-130	Manual tailstock for MNC-130R
SK6 + AP1	3-Jaw manual scroll chuck w/-backplate
MNC-130RP	MNC130R 4th axis Rotary Table Package -MNC-130R+DTS-130+SK6+AP1
MNC-172R	CNC rotary table w/-Delta motor and driver 1KW. (Table size: 6.69")
DTS-171	Manual tailstock for MNC-171R
SK6 + AP1	3-Jaw manual scroll chuck w/-backplate
MNC-172RP	MNC170R 4th axis Rotary Table Package -MNC-172R+DTS-171+SK6+AP1
MNC-200R	CNC rotary table w/-Delta motor and driver 1KW. (Table size: 7.87")
DTS-200	Manual tailstock for MNC-200R
SK7 + AP1	3-Jaw manual scroll chuck w/-backplate
MNC-200RP	MNC200R 4th axis Rotary Table Package -MNC-200R+DTS-200+SK7+AP1
MNC-251R	CNC rotary table w/-Delta motor and driver 1KW. (Table size: 9.84")
DTS-251	Manual tailstock for MNC-251R
SK8 + AP2	3-Jaw manual scroll chuck w/-backplate
MNC-251RP	MNC251R 4th axis Rotary Table Package -MNC-251R+DTS-251+SK8+AP1

*A Riser Block is available for all rotary tables and tail stock packages.

CENTROID Software Options

10249	Printed Manual Centroid control	
10630	Unlimited part program size	Included
10730	Intercon off-line conversational program (for your desktop PC)	
10850	Coordinate system rotation (CSR)	Included
10625	Scaling and mirroring [G50 & G51]	Included
10740	Engraving software	
15010	Upgrade to CNC Unlimited License instead of PRO license	
0DIGITIZING & PROBING		
10405	DP-4 probing package w/ CSR (10850)	
12486	DP-7 probing package w/ CSR (10850)	
10770	2D & 3D digitizing software (requires 10405)	
10220	TT-1; Tool touch off kit	
12468	TT-2; Tool touch off kit	
10772	Tool room package (10405 & 10220 & 10600 work coordinate)	

Floor Plan



**** WE RESERVE THE RIGHT TO CHANGE DESIGN, COLOR, SPECIFICATIONS, OR PRICE WITHOUT NOTICE ****

CLEVELAND MACHINERY SALES INC.

5000 BROOKPARK ROAD
CLEVELAND, OHIO 44134

PHONE: 216-741-8900

FAX: 216-741-8995

WEBSITE: www.clevelandmachinery.com * EMAIL: sales@clevelandmachinery.com