

# CLEVELAND

## *CNC Machining Center: EL42+*

Full enclosure and ATC are optional



*Proven High Quality  
Machines and Promoting  
Centroid Control since 1989*

### Specification

TABLE	43.3" x 23.6" (1100mm x 600mm)
X TRAVEL	39.3" (1000mm)
Y TRAVEL	24.4" (620mm)
Z TRAVEL	23.6" (600mm)
SPINDLE NOSE TO TABLETOP	5.9" to 29.5" (150- 750mm)
TABLE LOAD CAPACITY	2,200 LBS (1,000KGS)
T-SLOT (5)	0.7" x 3.14"
SPINDLE TAPER	CAT40/BT40
PROGRAMABLE SPINDLE SPEED	10,000rpm
TRANSMISSION SPINDLE-MOTOR	Belt / Direct drive (OPT)
RAPID FEED RATE X/Y/Z	1000/1000/800 ipm
CUTTING FEED RATE	1 to 393 IPM
SPINDLE MOTOR/MAX POWER	15HP
SERVO MOTORS ON XYZ	1.8 kW / 1.8 kW / 3 kW
TOOL MAGAZINE CAPACITY	Armless 20 tools (OPT)
MAX. TOOL DIA	Ø 3.1"
ADJ. POCKET EMPTY	Ø 3.54"
MAX. TOOL LENGTH	11.8" (300mm)
MAX. TOOL WEIGHT	15.4lbs Total:176lbs
LUBRICATION PUMP	Auto lubrication
FLOOR PLAN	141.8" x 103.2" x 114.2"
NET WEIGHT	13,640 LBS. (6,200KGS)
POWER REQUIREMENT	17 KVA 3 phase 208V-230V
AIR REQUIREMENT	70-100 psi (5~8 kg/cm <sup>2</sup> )
OIL WAY RECOMMENDED	Mobil Vectra #2
OPTIONAL CHILLER OIL	Shell Tellus 32

*Featuring:*

**Centroid's Easy Conversational Progaming OAK PRO License**

*Huge 15" Color Touch Screen*

*60GB Reliable SSD*

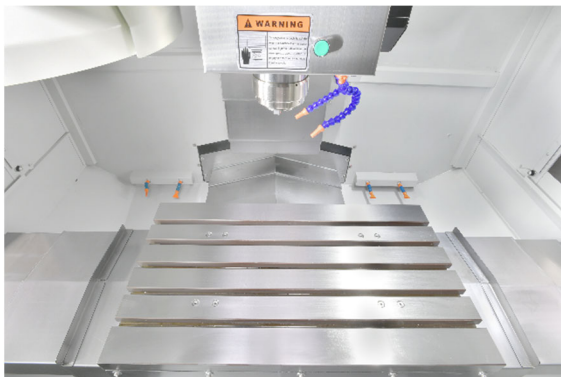
*RS232 and 2USB ports for easy data X-fer.*

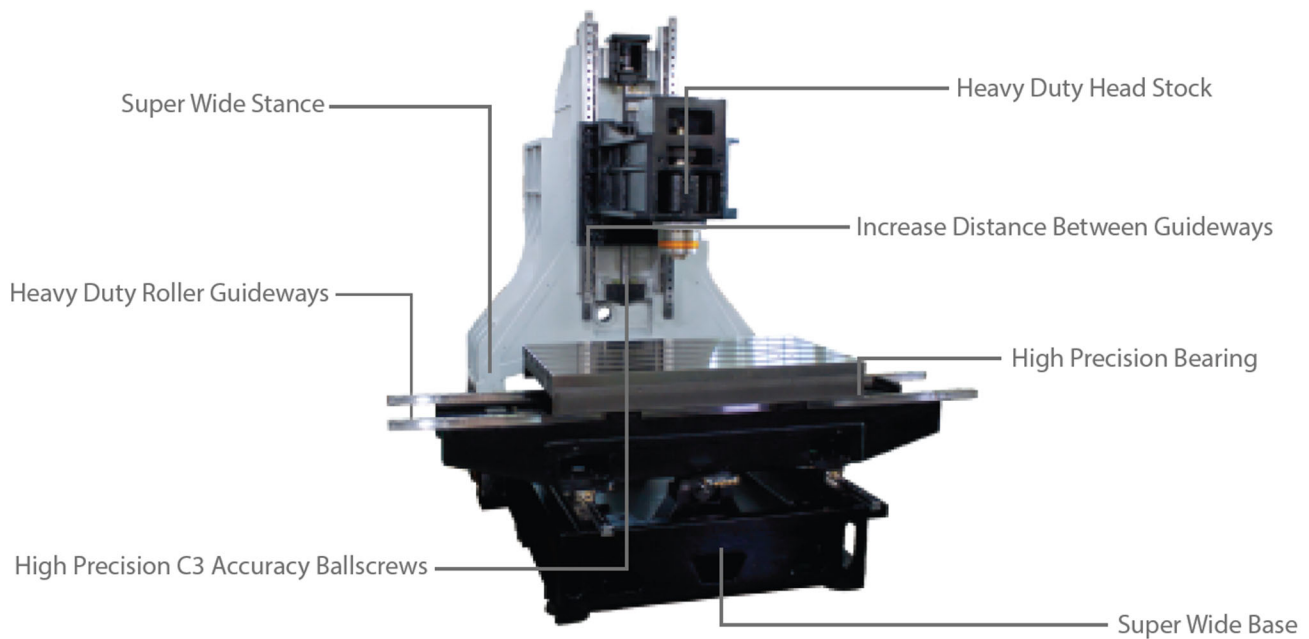
*C3 Class Ball Screw is pre-loaded to reduce the effects of heat deformation.*

*Meehanite castings, **Roller Type** linear Guide Way on the XYZ axes.*

*100% Laser tested and calibrated positioning accuracy and repeatability.*

*High speed Delta AC motors and Drivers and Spindle inverter.*





## Machine Standard

Auto lube system	Coolant system	<b>Shop floor programming/Conversational</b>
<b>Table Guard</b>	<b>100 Step MPG</b>	<b>Roller Type linear Guide Way</b>
15" color LCD	60 GB solid state hard drive	Telescoping way cover
<b>LED work light</b>	Tools & box	Leveling bolts & plate
USB 2.0 port	RS-232 interface	Electronic Operation Manual Centroid
<b>100 Step MPG</b>	<b>Heat Exchanger</b>	

## Machine Options

\*Are Recommended items

<b>*EL-B20ATC</b>	<b>Armless type 20 tools ATC</b>
<b>*EL-A24ATC</b>	<b>Arm type 24 tools ATC.</b>
8928	Upgrade to Wireless MPG
EL-SPCR	Spindle chiller
EL42-S10	Upgrade spindle speed to 10K rpm with Spindle chiller
EL42-S15	Upgrade spindle speed to 12K rpm with Spindle chiller (Belt Drive)
EL42-S15-D	Upgrade spindle speed to 12K rpm with Spindle chiller (Direct Drive)
EL-CTS20	20 bar CTS system (For belt driver system/TPRK3T33-33)
EL42P-FG	EL42+ Upgrade to Full Guarding instead of Table Guard (Flood wash included)
EL42P-SC	EL42+ Screw type Chip Conveyor (Must order with Full Guarding)
EL42P-CC	EL42+ Chain type Chip Conveyor (Must order with Full Guarding)
EL-OS	Oil Skimmer
EL-EC	Electric Cabinet conditioner
EL-CG	Coolant gun
EL-IDS	Interlock door switch
CP-MIST	Mist Coolant System
C40RK-45	Retention Knob Cat40, 45degree 16pcs
CK-105	52pcs Clamping Kit

## Tools Options

### CAT40 KIT RECOMMEND

CK-105	52pcs Clamping Kit
CAT40- TOOL16	CAT40 EM Tool Holder + Keyless Chuck + Retention knob (*16 pcs.) EM 1/8, 1/4, 3/8, 1/2, 5/8, 3/4, 1"+C40RK-45(x8) +INT-13-CAT40 (x1)
HAV-6	6" Angle Vise W/ Swivel Base (Made in Taiwan)

**Total Special kit price**

## Optional Rotary Table



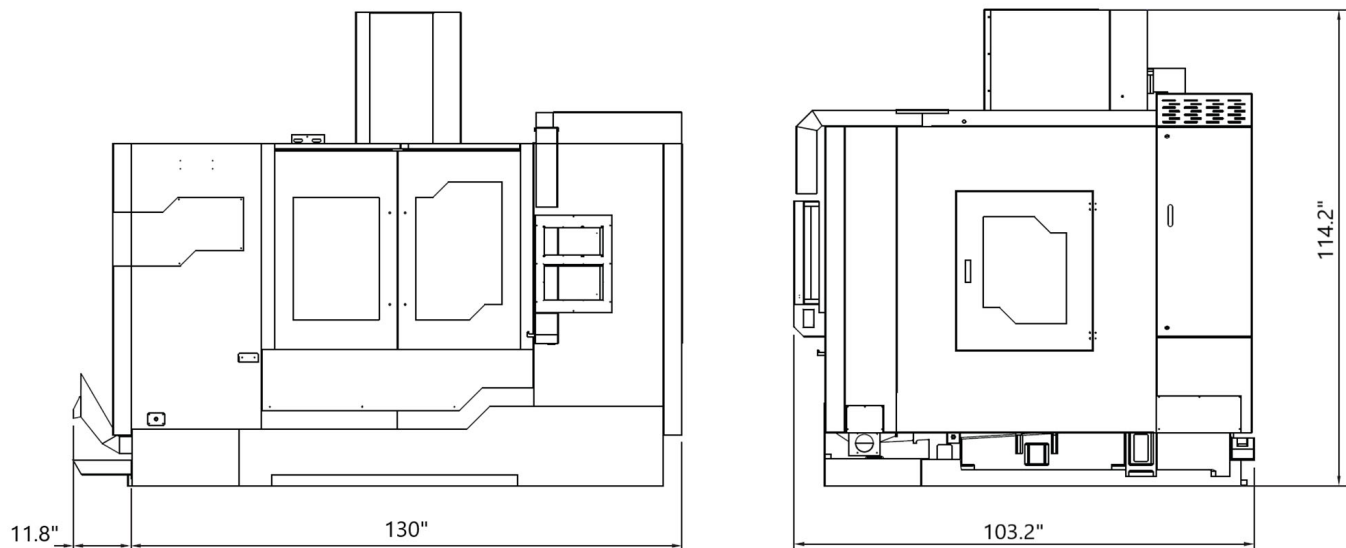
MNC-130R	CNC rotary table w/-Delta motor and driver 1KW. (Table size: 5.1")
DTS-130	Manual tailstock for MNC-130R
SK6 + AP1	3-Jaw manual scroll chuck w/-backplate
<b>MNC-130RP</b>	<b>MNC130R 4th axis Rotary Table Package -MNC-130R+DTS-130+SK6+AP1</b>
MNC-172R	CNC rotary table w/-Delta motor and driver 1KW. (Table size: 6.69")
DTS-171	Manual tailstock for MNC-171R
SK6 + AP1	3-Jaw manual scroll chuck w/-backplate
<b>MNC-172RP</b>	<b>MNC170R 4th axis Rotary Table Package -MNC-172R+DTS-171+SK6+AP1</b>
MNC-200R	CNC rotary table w/-Delta motor and driver 1KW. (Table size: 7.87")
DTS-200	Manual tailstock for MNC-200R
SK7 + AP1	3-Jaw manual scroll chuck w/-backplate
<b>MNC-200RP</b>	<b>MNC200R 4th axis Rotary Table Package -MNC-200R+DTS-200+SK7+AP1</b>
MNC-251R	CNC rotary table w/-Delta motor and driver 1KW. (Table size: 9.84")
DTS-251	Manual tailstock for MNC-251R
SK8 + AP2	3-Jaw manual scroll chuck w/-backplate
<b>MNC-251RP</b>	<b>MNC251R 4th axis Rotary Table Package -MNC-251R+DTS-251+SK8+AP1</b>

\*A Riser Block is available for all rotary tables and tail stock packages.

## CENTROID Software Options

10249	Printed Manual Centroid control	
10630	Unlimited part program size	Included
10730	Intercon off-line conversational program (for your desktop PC)	
10850	Coordinate system rotation (CSR)	Included
10625	Scaling and mirroring [G50 & G51]	Included
10810	Rigid tapping [G74 & G 84] (includes 10620)	Included
10740	Engraving software	
15010	Upgrade to CNC Unlimited License instead of PRO license	
<b>DIGITIZING &amp; PROBING</b>		
10405	DP-4 probing package w/ CSR (10850)	
12486	DP-7 probing package w/ CSR (10850)	
10770	2D & 3D digitizing software (requires 10405)	
10220	TT-1; Tool touch off kit	
12468	TT-2; Tool touch off kit	
10772	Tool room package (10405 & 10220 & 10600 work coordinate)	

### Floor Plan



\*\* WE RESERVE THE RIGHT TO CHANGE DESIGN, COLOR, SPECIFICATIONS, OR PRICE WITHOUT NOTICE \*\*

## CLEVELAND MACHINERY SALES INC.

5000 BROOKPARK ROAD  
CLEVELAND, OHIO 44134

PHONE: 216-741-8900  
FAX: 216-741-8995

WEBSITE: [www.clevelandmachinery.com](http://www.clevelandmachinery.com) \* EMAIL: [sales@clevelandmachinery.com](mailto:sales@clevelandmachinery.com)