

CLEVELAND

CNC Machining Center: EL42

Full enclosure and ATC are optional



*Proven High Quality
Machines and Promoting
Centroid Control since 1989*

Specification

TABLE	43.3" x 19.6" (1100mm x 500mm)
X TRAVEL	39.3" (1000mm)
Y TRAVEL	21.6" (550mm)
Z TRAVEL	21.6" (550mm)
SPINDLE NOSE TO TABLETOP	5.9" to 29.5" (150- 750mm)
TABLE LOAD CAPACITY	1,760 LBS (800KGS)
T-SLOT (5)	0.7" x 3.14"
SPINDLE TAPER	CAT40/BT40
PROGRAMABLE SPINDLE SPEED	8,000rpm
TRANSMISSION SPINDLE-MOTOR	Belt / Direct drive (OPT)
RAPID FEED RATE X/Y/Z	1000/1000/800 ipm
CUTTING FEED RATE	1 to 393 IPM
SPINDLE MOTOR/MAX POWER	15HP
SERVO MOTORS ON XYZ	1.8 kW / 1.8 kW / 3 kW
TOOL MAGAZINE CAPACITY	Armless 20 tools (OPT)
MAX. TOOL DIA	Ø 3.1"
ADJ. POCKET EMPTY	Ø 3.54"
MAX. TOOL LENGTH	11.8" (300mm)
MAX. TOOL WEIGHT	15.4lbs Total:176lbs
LUBRICATION PUMP	Auto lubrication
FLOOR PLAN	128.4" x 106.3" x 95.3"
NET WEIGHT	12,100 LBS. (5,500KGS)
POWER REQUIREMENT	17 KVA 3 phase 208V-230V
AIR REQUIREMENT	70-100 psi (5~8 kg/cm ²)
OIL WAY RECOMMENDED	Mobil Vectra #2
OPTIONAL CHILLER OIL	Shell Tellus 32

Featuring:

Centroid's Easy Conversational Programing OAK PRO License

Huge 15" Color Touch Screen

60GB Reliable SSD

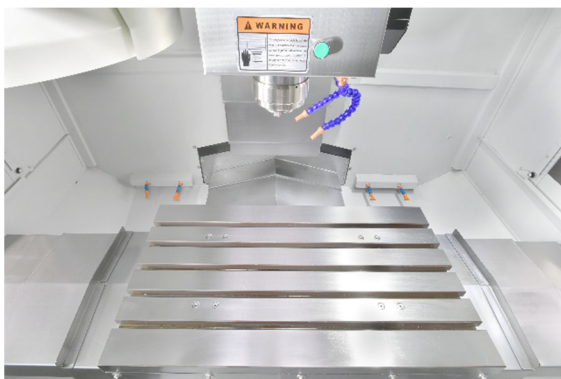
RS232 and 2USB ports for easy data X-fer.

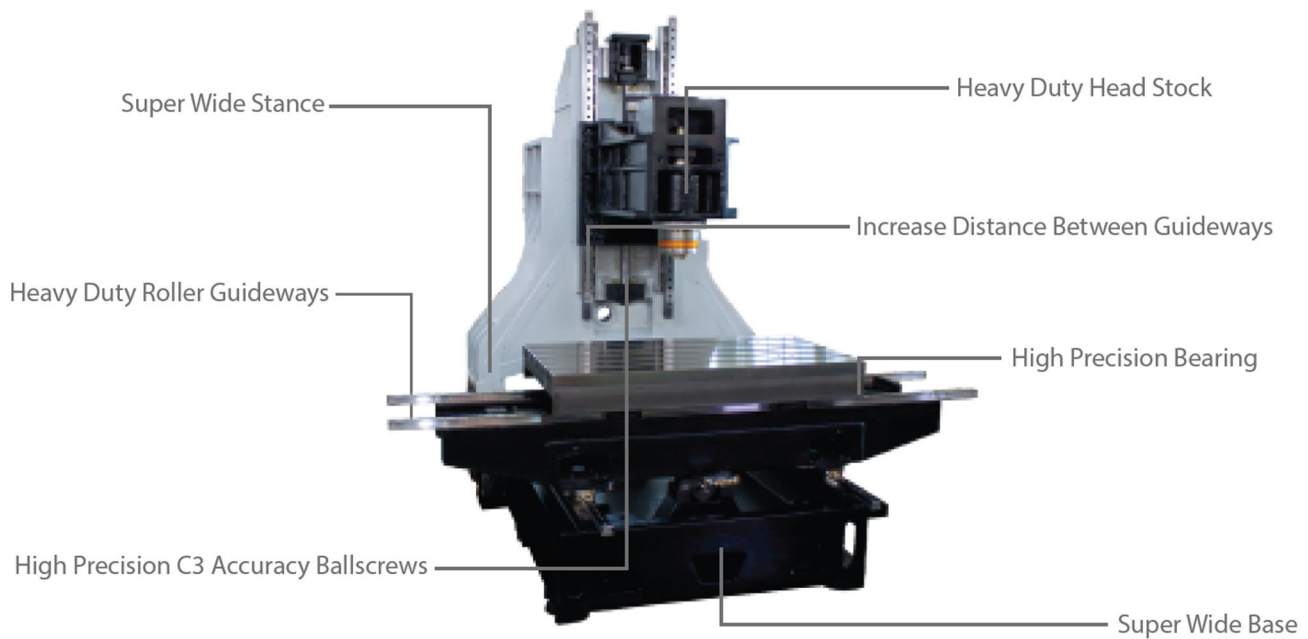
C3 Class Ball Screw is pre-loaded to reduce the effects of heat deformation.

*Meehanite castings, **Roller Type** linear Guide Way on the XYZ axes.*

100% Laser tested and calibrated positioning accuracy and repeatability.

High speed Delta AC motors and Drivers and Spindle inverter.





Machine Standard

Auto lube system	Coolant system	Shop floor programming/Conversational
Table Guard	100 Step MPG	Roller Type linear Guide Way
15" color LCD	60 GB solid state hard drive	Telescoping way cover
LED work light	Tools & box	Leveling bolts & plate
USB 2.0 port	RS-232 interface	Electronic Operation Manual Centroid
100 Step MPG	Heat Exchanger	

Machine Options

*Are Recommended items

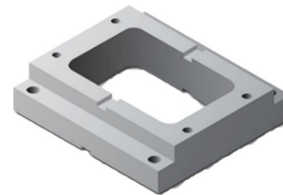
*EL-B20ATC	Armless type 20 tools ATC
*EL-A24ATC	Arm type 24 tools ATC.
8928	Upgrade to Wireless MPG
EL-SPCR	Spindle chiller
EL42-S10	EL42 Upgrade spindle speed to 10K rpm with Spindle chiller
EL42-S15	EL42 Upgrade spindle speed to 12K rpm with Spindle chiller (Belt Drive)
EL42-S15-D	EL42 Upgrade spindle speed to 12K rpm with Spindle chiller (Direct Drive)
EL-CTS20	20 bar CTS system (For belt driver system/TPRK3T33-33)
EL42-FG	EL42 Upgrade to Full Guarding instead of Table Guard (Flood wash included)
EL42-SC	EL42 Screw type Chip Conveyor (Must order with Full Guarding)
EL42-CC	EL42 Chain type Chip Conveyor (Must order with Full Guarding)
EL-OS	Oil Skimmer
EL-EC	Upgrade to Electric Cabinet conditioner
EL-CG	Coolant gun
EL-IDS	Interlock door switch
CP-MIST	Mist Coolant System
C40RK-45	Retention Knob Cat40, 45degree 16pcs
CK-105	52pcs Clamping Kit

Tools Options

CAT40 KIT RECOMMEND

CK-105	52pcs Clamping Kit
CAT40- TOOL16	CAT40 EM Tool Holder + Keyless Chuck + Retention knob (*16 pcs.) EM 1/8, 1/4, 3/8, 1/2, 5/8, 3/4, 1"+C40RK-45(x8) +INT-13-CAT40 (x1)
HAV-6	6" Angle Vise W/ Swivel Base (Made in Taiwan)
Total Special kit price	

Optional Rotary Table



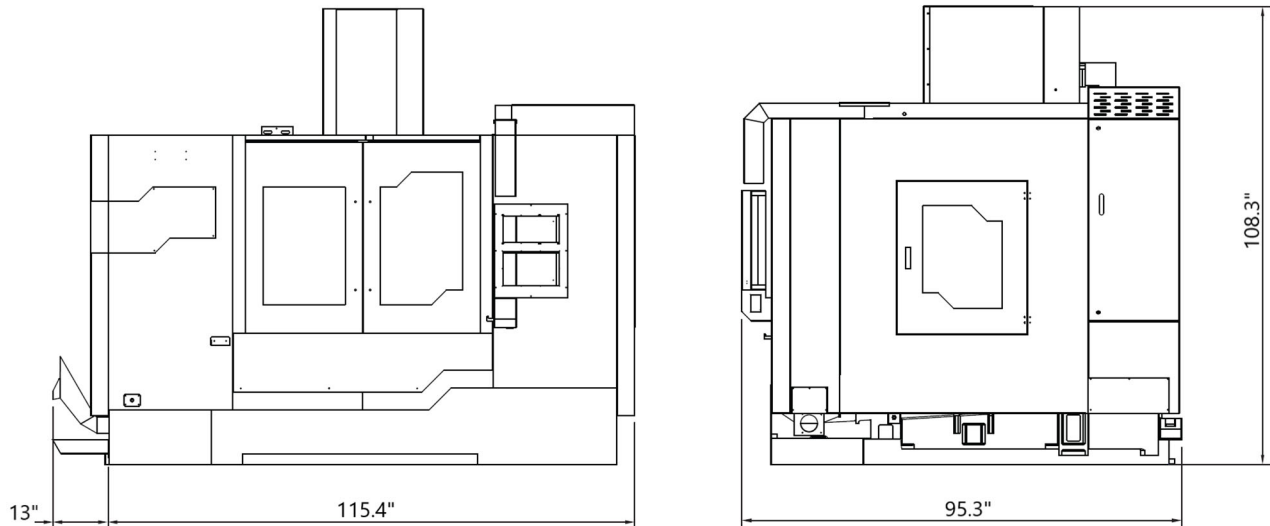
MNC-130R	CNC rotary table w/-Delta motor and driver 1KW. (Table size: 5.1")
DTS-130	Manual tailstock for MNC-130R
SK6 + AP1	3-Jaw manual scroll chuck w/-backplate
MNC-130RP	MNC130R 4th axis Rotary Table Package -MNC-130R+DTS-130+SK6+AP1
MNC-172R	CNC rotary table w/-Delta motor and driver 1KW. (Table size: 6.69")
DTS-171	Manual tailstock for MNC-171R
SK6 + AP1	3-Jaw manual scroll chuck w/-backplate
MNC-172RP	MNC170R 4th axis Rotary Table Package -MNC-172R+DTS-171+SK6+AP1
MNC-200R	CNC rotary table w/-Delta motor and driver 1KW. (Table size: 7.87")
DTS-200	Manual tailstock for MNC-200R
SK7 + AP1	3-Jaw manual scroll chuck w/-backplate
MNC-200RP	MNC200R 4th axis Rotary Table Package -MNC-200R+DTS-200+SK7+AP1
MNC-251R	CNC rotary table w/-Delta motor and driver 1KW. (Table size: 9.84")
DTS-251	Manual tailstock for MNC-251R
SK8 + AP2	3-Jaw manual scroll chuck w/-backplate
MNC-251RP	MNC251R 4th axis Rotary Table Package -MNC-251R+DTS-251+SK8+AP1

*A Riser Block is available for all rotary tables and tail stock packages.

CENTROID Software Options

10249	Printed Manual Centroid control	
10630	Unlimited part program size	Included
10730	Intercon off-line conversational program (for your desktop PC)	
10850	Coordinate system rotation (CSR)	Included
10625	Scaling and mirroring [G50 & G51]	Included
10810	Rigid tapping [G74 & G 84] (includes 10620)	Included
10740	Engraving software	
15010	Upgrade to CNC Unlimited License instead of PRO license	
DIGITIZING & PROBING		
10405	DP-4 probing package w/ CSR (10850)	
12486	DP-7 probing package w/ CSR (10850)	
10770	2D & 3D digitizing software (requires 10405)	
10220	TT-1; Tool touch off kit	
12468	TT-2; Tool touch off kit	
10772	Tool room package (10405 & 10220 & 10600 work coordinate)	

Floor Plan



** WE RESERVE THE RIGHT TO CHANGE DESIGN, COLOR, SPECIFICATIONS, OR PRICE WITHOUT NOTICE **

CLEVELAND MACHINERY SALES INC.

5000 BROOKPARK ROAD
CLEVELAND, OHIO 44134

PHONE: 216-741-8900

FAX: 216-741-8995

WEBSITE: www.clevelandmachinery.com * EMAIL: sales@clevelandmachinery.com