

# CLEVELAND

## *Vari-Speed Manual Bed Mill : CBV3*

### Specification



TABLE	12" x 54" (305mm x 1370mm)
X TRAVEL	29.9" (760mm)
Y TRAVEL	19.68" (500mm)
Z TRAVEL	20.47" (520mm)
QUILL TRAVEL	4.92" (125mm)
QUILL DIAMETER	4.13" (105mm)
SPINDLE NOSE TO TABLETOP	5.11" to 25.59" (130- 650mm)
TABLE LOAD CAPACITY	1320 LBS (600KGS)
T-SLOT (3)	0.62" x 2.55"
SPINDLE TAPER	<b>NT40</b>
SPINDLE SPEED	73 to <b>3925 rpm</b> with Hi/Lo gears
SPINDLE MOTOR/MAX POWER	<b>5HP</b>
TRANSMISSION SPINDLE-MOTOR	Timing belt
HEAD SWIVEL(RIGHT/LEFT)	±45°
HEAD TILTING ANGLE (UP/DOWN)	Not available
AXIS MOTOR POWER (X/Y/Z)	0.75KW/0.75KW/0.375KW
RAPID TRAVERSER RATES(X/Y/Z)	59ipm/59ipm/51ipm
TRAVERSER RATES(X/Y/Z)	1-39ipm/1~39ipm/1~33ipm
COOLANT PUMP	1/8 HP
LUBRICATION PUMP	Auto Lubrication
FLOOR PLAN	99.6" x 73.4" x 99.6"
NET WEIGHT	5060LBS (2300KGS)
POWER REQUIREMENT	7 KVA 3 phase 208V-230V (Max)
TYPE OF OIL FOR OIL WAY	Mobil Vectra #2

### HIGHLIGHT

1. Meehanite castings mainframe with annealed relieved for long term reliability.
2. X Y Z Hardened & ground with Turcite-B coating guide way
3. Double nut precision Ball screws for high accuracy and long lasting.
4. Box Way Design on X/Y/Z.
5. Mechanical Variable Speed Head 5HP spindle motor, NT40 spindle taper.
6. Two handles design on X axis for Easy operation.
7. 72-3,925rpm spindle speed with Hi/Lo Gears.
8. Electrical Cabinet with Arm Type Control Panel
9. Coolant system with Chip Pan
10. Precision APEC class 7 spindle bearing to ensure spindle run out within 0.0002inch.
11. Metal Cover (Y axis Front) and Chip rubber cover (Y axis Rear).
12. Built in LED Work Light.
13. Auto lubrication system.



## Machine Standard

5HP Spindle Motor	Way Covers	Coolant System	Chip Tray
LED Work Light	Electrical Cabinet	<b>Arm type control panel</b>	<b>Auto Lubrication</b>
Manual Draw Bar	Operation Manual	Tools & Box	

## Machine Options

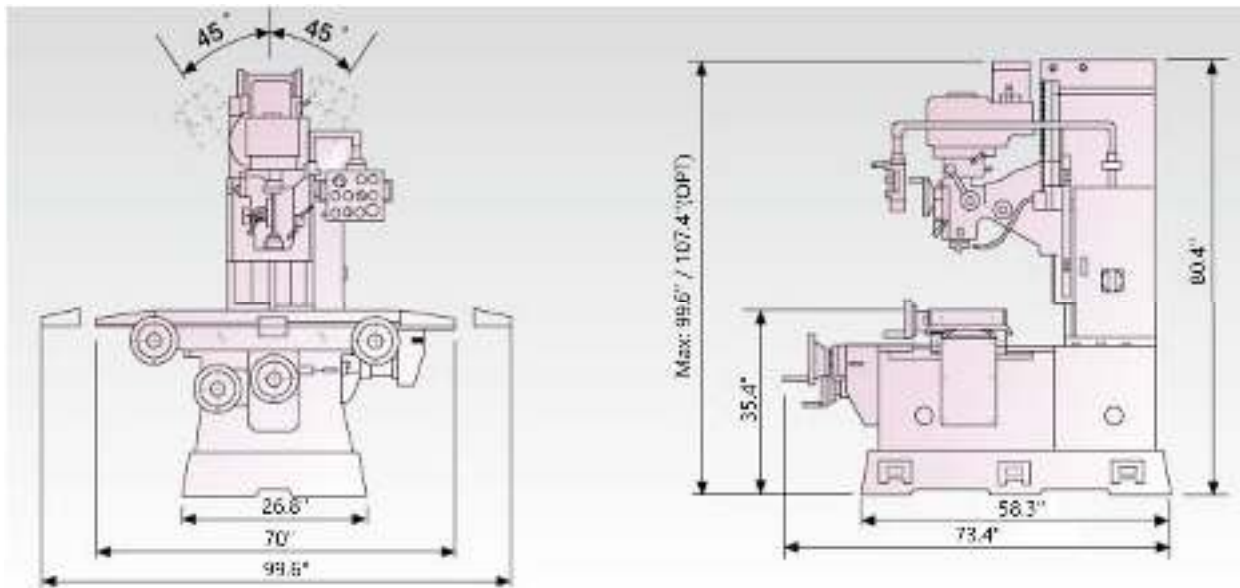
\*Recommended

*PDB-MAX	Power Draw Bar-Maxi-Torque installed
E-KIT	Upgrade to Electronic Vari-Speed head BE3 with inverter
BV3-SG	Splash Guard
BV3-TG	Table Guard
BV3-MC	Upgrade to metal way cover (Y axis rear and Z axis) instead of rubber cover
BV-HZ	Upgrade Z axis travel to 28.8"(720mm) instead of 20.4"(520mm)

## Tools Options

NT40 KIT RECOMMEND	
CK-101	52pcs Clamping Kit
NT40-TOOL6	NT40 Tool Holder set (6pcs.) 3/8, 1/2, 5/8, 3/4, 1" and keyless drill chuck
NT40ER40-10	NT40 ER40 Collect (10pcs.) 1/8, 1/4, 3/8, 1/2, 5/8, 3/4, 7/8, 1" + NT40 ER40 chuck*1 +Wrench
NT40ER40-17	NT40 ER40 Collect (17pcs.) 1/8, 3/16, 1/4, 5/16, 3/8, 1/2, 9/16, 5/8, 11/16, 3/4, 13/16, 7/8, 15/16, 1" + NT40 ER40 chuck*1+Wrench
WISE-6-TW	6" Angle Vise W/ Swivel Base

## Floor Plan



\*\* WE RESERVE THE RIGHT TO CHANGE DESIGN, COLOR, SPECIFICATIONS, OR PRICE WITHOUT NOTICE \*\*

# CLEVELAND MACHINERY SALES INC.

5000 BROOKPARK ROAD  
CLEVELAND, OHIO 44134

PHONE: 216-741-8900  
FAX: 216-741-8995

WEBSITE: [www.clevelandmachinery.com](http://www.clevelandmachinery.com) \* EMAIL: [sales@clevelandmachinery.com](mailto:sales@clevelandmachinery.com)